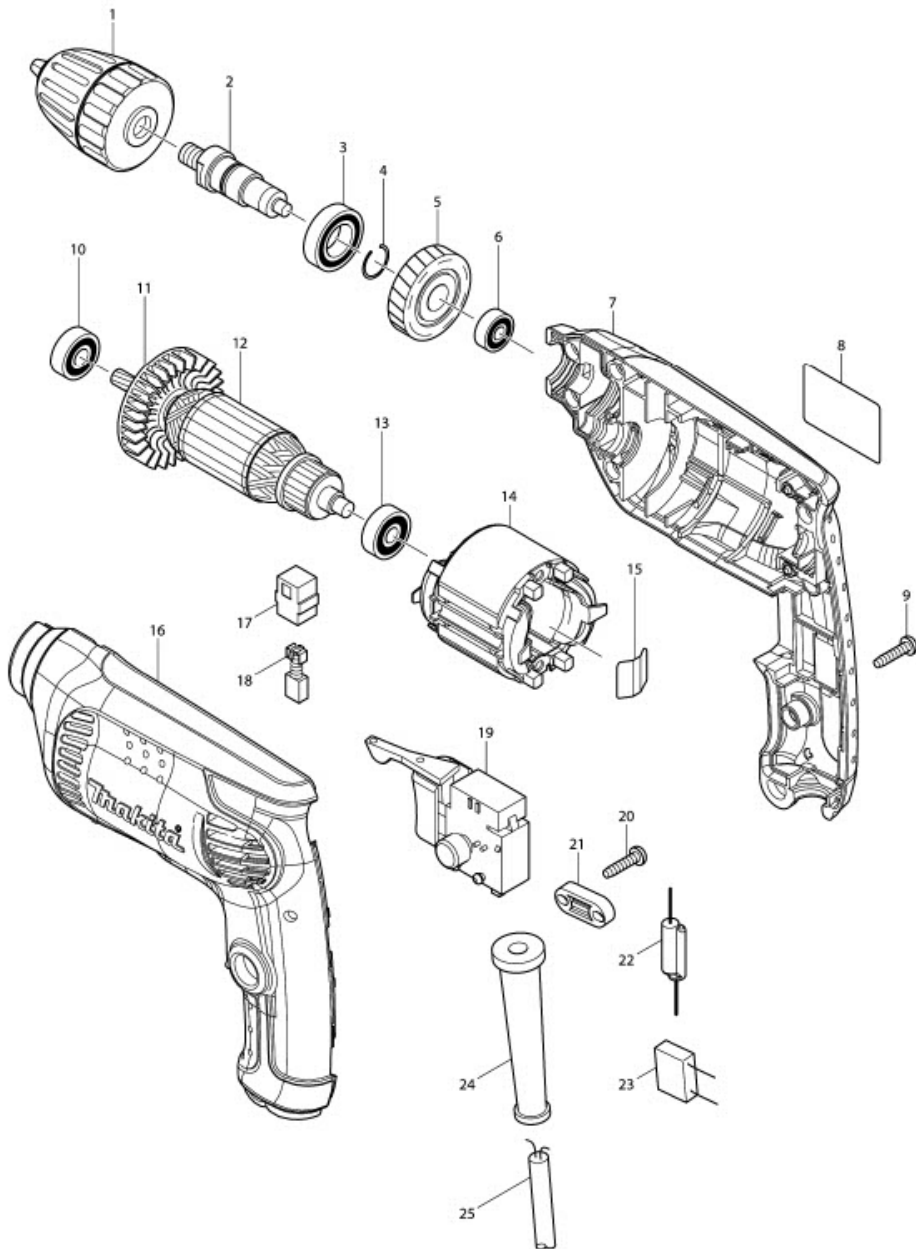


Part Diagram

Model No.6413 DRILL 10MM



Item	Sub	Parts No.	Parts Description	Qty
1		763180-0	KEYLESS DRILL CHUCK 10	1
001-1		763242-4	KEYLESS DRILL CHUCK 10	1
2		324376-4	SPINDLE	1
3		211242-3	BALL BEARING 6902ZZ	1
4		233925-5	RING SPRING 13	1
5		226578-7	HELICAL GEAR 35	1
6		210028-2	BALL BEARING 606ZZ	1
7		188277-8	HOUSING SET	1
7	C10	263002-9	RUBBER PIN 4	2
7	D10		INC. 16	
8		863402-9	6413 NAME PLATE	1
9		266326-2	TAPPING SCREW 4X18	7
10		211032-4	BALL BEARING 608ZZ	1
11		240066-0	FAN 52	1
12		515699-3	ARMATURE ASS'Y 240V	1
12	D10		INC. 10,11,13	
13		210030-5	BALL BEARING 627ZZ	1
14		593644-8	FIELD ASS'Y 240V	1
14	C11	654037-5	INSULATED TERM. FT1.25-M3	1
15		232210-3	LEAF SPRING	1
16		188277-8	HOUSING SET	1
16	C10	263002-9	RUBBER PIN 4	2
16	D10		INC. 7	
17		643563-9	BRUSH HOLDER 5X8	2
017-1		643566-3	BRUSH HOLDER 5X8	2
18		191627-8	CARBON BRUSH CB-64	1
19		650586-0	SWITCH DGQ-1104H	1
20		266326-2	TAPPING SCREW 4X18	2
21		687123-7	STRAIN RELIEF	1
24		682569-2	CORD GUARD 8-85	1
25		692006-8	POWER SUPPLY CORD 1.0-2-2.0	1

